

Concealed ceiling installation box for recessed ceiling installation -

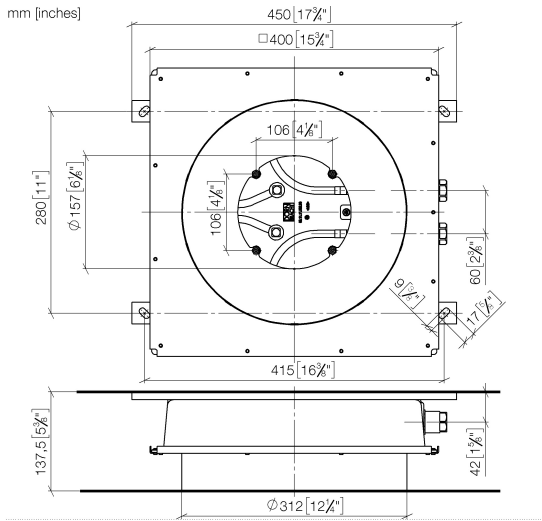
35 033 970 90



- concealed rough parts
- 2x female thread 1/2" connections
- flush-mounted installation box Ø 360 mm RAL 9003 signal white
- For simultaneous control of the jet types, we recommend the xTool thermostat module
- Not suitable for use in a steam room.

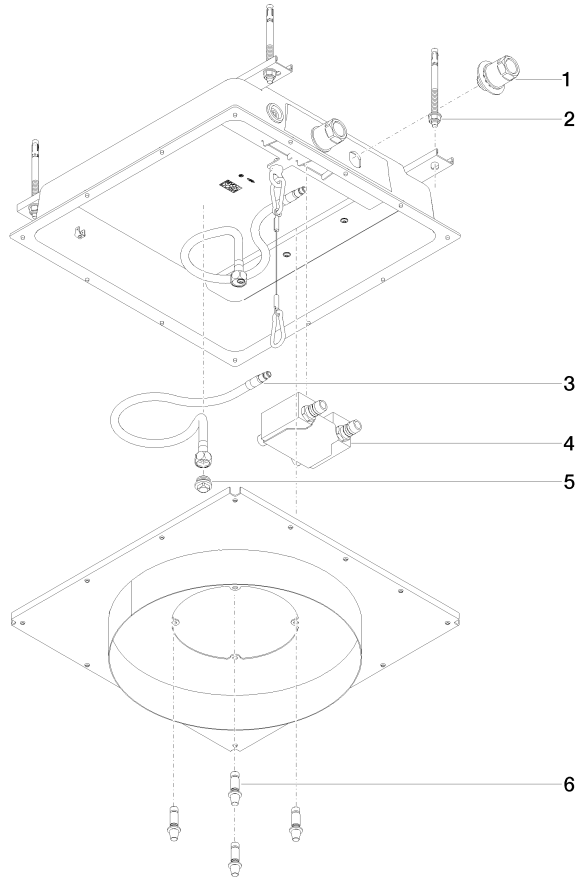
Concealed ceiling installation box for recessed ceiling installation -

35 033 970 90



Concealed ceiling installation box for recessed ceiling installation -

35 033 970 90



Spare parts list

| No. | Item Number | Name | Quantity used | Delivery time |
|-----|--------------------|---------------------|---------------|---------------|
| 1 | 90 24 03 305 00 90 | connection | 1 | 2 |
| 2 | 04 30 35 008 00 90 | fixing set | 1 | 2 |
| 3 | 04 30 04 097 00 90 | hose | 2 | 60 |
| 4 | 90 30 01 216 10 90 | Venting service kit | 1 | 2 |
| 5 | 09 31 20 042 90 | plug | 2 | 2 |
| 6 | 90 30 01 215 00 90 | fixing set | 2 | 2 |